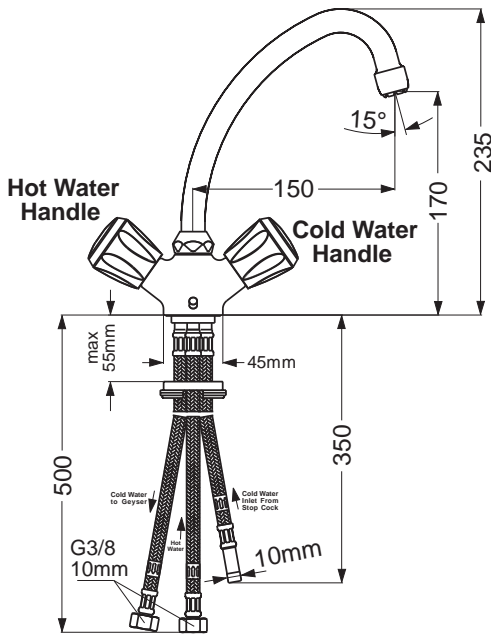


Open Out-Let Tap for SNU 5 & 10
Under Basin Non-Pressure Geyser.

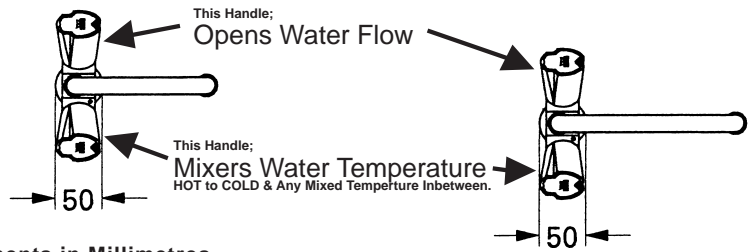
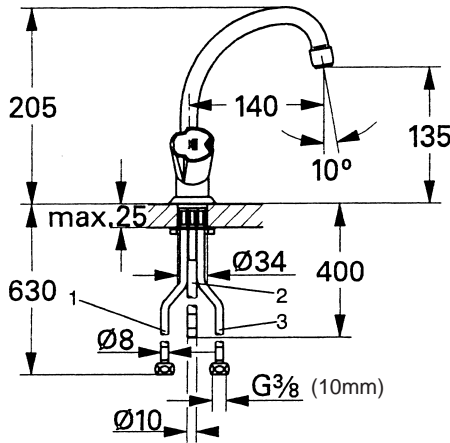
MAZ-W



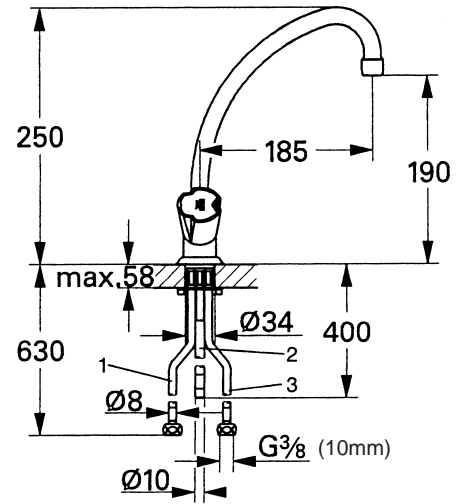
MAZ_W - Features;

- Flexible pipes
- A Hot & Cold Handle
- Chromed Plastic Handles

WST



WUT



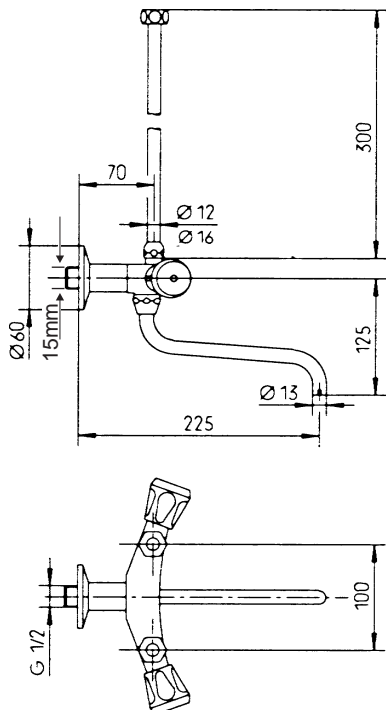
* All measurements in Millimetres

WST / WUT - Features;

- Chromed Copper Pipes (bendable)
- Mixer Handle
- Solid Metal Handles
- WUT with a Longer Spout

Open Out-Let Tap for SN 5 / 10 / 15
Over Basin Non-Pressure Geyser.

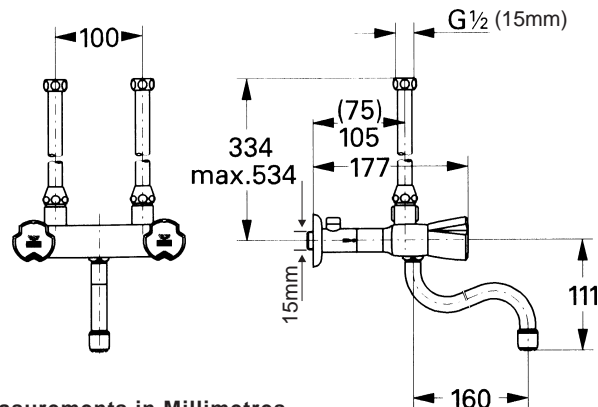
VL



VL - Features;

- Fits Directly under Geyser
- a Hot & a Cold Tap (Handle)
- Chromed Plastic Handle's

WKM



* All measurements in Millimetres

WKM - Features;

- Fits Directly under Geyser
- a Hot & a Cold Tap(Handle)
- Solid Metal Handles
- Heavy Duty Construction

Compiled By;
Grant Mocké
Cell: 083 3389106

www.stiebel-eltron.co.za

Stiebel Eltron South Africa Agencies (Pty) Ltd, Unit No.9 Selby Warehouse Complex, Krag Street corner Treu, Selby Ext 14, Johannesburg - P.O.Box 38875, Booyens 2016. Tel:(011) 493-6910/1/2/3/4, Fax:(011) 493-2709