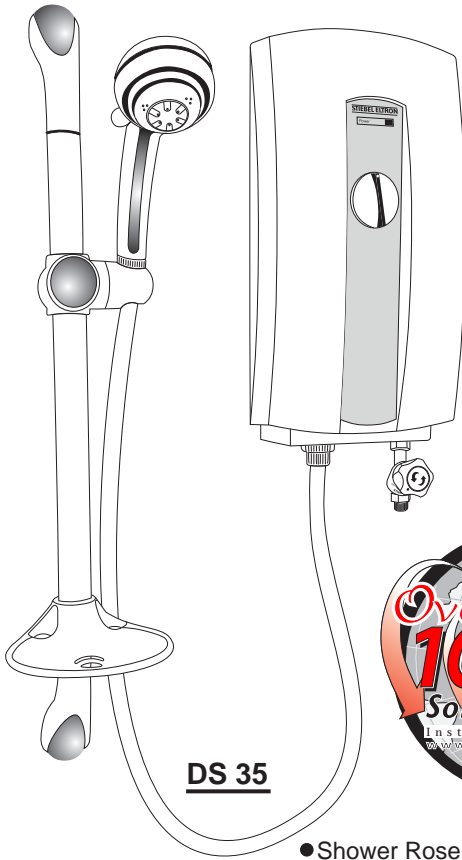


Instant Shower Water Heater - DS 35

STIEBEL ELTRON

Comfort through Technology

Non Pressure - Single Point Unit.



DS 35

Pure comfort day after day. Shower in Style !

Introducing the new DS35 instantaneous Shower water heater.

Stiebel Eltron has done it again, with another technology driven German masterpiece of water heating. The DS35 shower heater is fitted with the newest technology. Operating extremely well in warm areas.

The DS35 pressureless (Open outlet, Non-pressure) small instantaneous water heater is a device for heating water for a shower only. The electrical power is electronically controlled. The water flow is controlled by using the "On/off" fitting (C), this fitting also affects the water output temperature via limiting or increasing the water flow rate. The unit switches the power on once the water flow volume reaches 1.5L/min. The "Power" light (A) indicates that the unit is switched on. If the temperature adjustment rotary (B) switch is turned to the left, the units power is off & it is possible to take a cold shower .

The DS35 is fitted with a dynamic overheating protection device.



- Low Pressure - Equipped with a Reed switch system, perfect even in areas with low pressure.
- Free from Scalding - Auto-reset thermostat that turns on/off to prevent scalding.
- Flame Retardant - Flame retardant PC boards are used for safety.
- Rust Free - Copper Tank & Element.

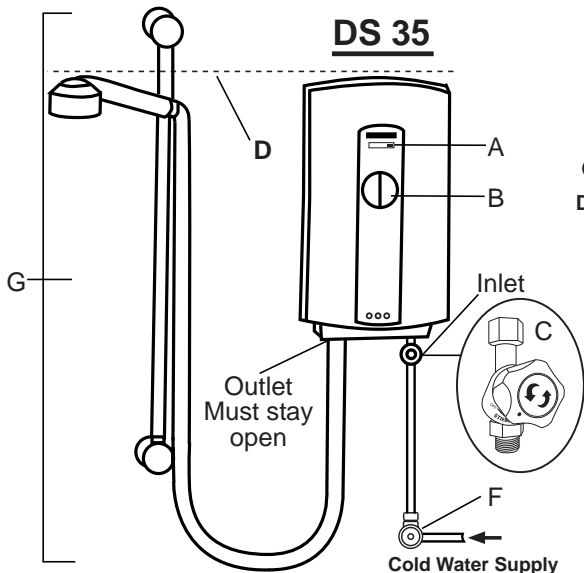
- Shower Rose - 5 different sprays; jumbo spray, standard spray, soothe spray, mix spray, massage spray.

Flow Rate's

Type	Power * Single Phase * 220 Volt supply	Output Temperature With cold water @ 20°C				
		Litres per minute (L/min)				
DS 35	3.5kW	1,5	2,0	3,0	4,0	6,0
		50°C	45°C	40°C	33.0°C	28.0°C

INSTALLATION DIAGRAM & DESCRIPTION

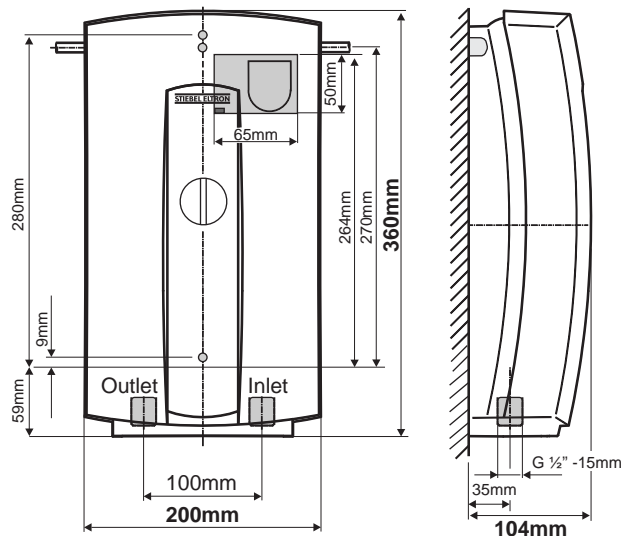
All you need is cold water supply to the unit, use a conex fitting on the inlet (right hand side), (areas with high pressure install a 4 bar pressure reducer). Install a isolating tap on the cold water supply before the unit this will help slow the flow so it is easier to operate. Depending on voltage in your area you can plug the unit into a normal plug point, unit must be earthed. Flush all air from unit with water before you apply the power.



- A) Power Light.
- B) Power Knob.
- C) On/Off Water & Flow Control.
- D) When not in use Shower Rose @ same level as top unit.
- E) Supplied Accessories.
- F) Water Supply Stop Valve.
- G) Supplied Accessories.

Technical Data

Bill of Quantities Description	DS 35
Rated power - kW~Voltage	3.5kW~220V 3.8kW~230V 4.2kW~240V
Power Loading	15.9A (16.5~17.5A)
Tank Capacity - Litres	0,5
Tank Material	Copper
Type	Open - Non-Pressure
Rated overpressure - MPa (bar)	0 (0 bar)
Weight - Kg (Boxed)	1,9Kg (2.5Kg)
Boxed Accessories	Shower Rose, Riser Rail, Soap Dish, Outlet Hose, Mounting Screws & Washers
Protection mode	IP 24 (Splash Proof)
Water connection	G ½" -15mm (external thread)
Electrical connection	1/N/PE ~ 220....240 V
VDEW approval	Yes
SABS approval	Yes
Heating system - Element	Tubular
Switching On - Flow volume	> 1.5 L/min
Installation Position	Wall Unit Installed Vertically in Shower (with water connections downwards).



⚠ Do not pressurize unit, outlet must never be closed by any tap or valve. Gate valve's, Stop cocks & Isolating Taps must be installed before unit on the cold water supply.

www.stiebel-eltron.co.za

Stiebel Eltron South Africa Agencies (Pty) Ltd.
Durban: 0313062470 / Johannesburg: 0114936910/1/2/3/4

Compiled by: Grant Mocké
Cell: 083 3389106