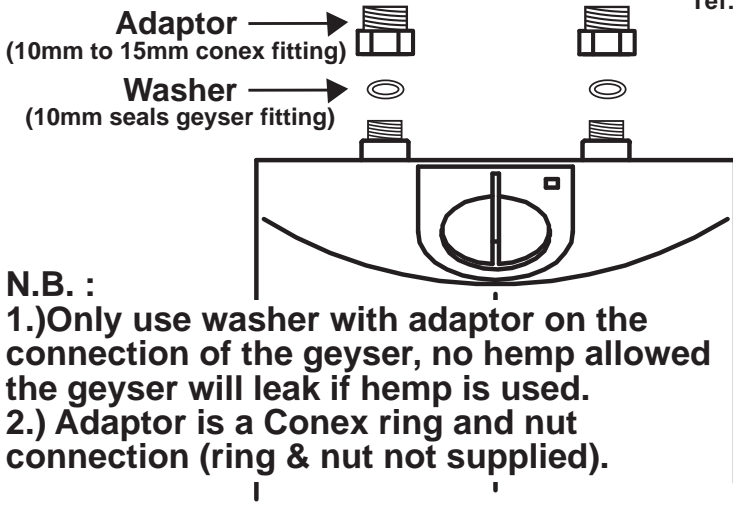
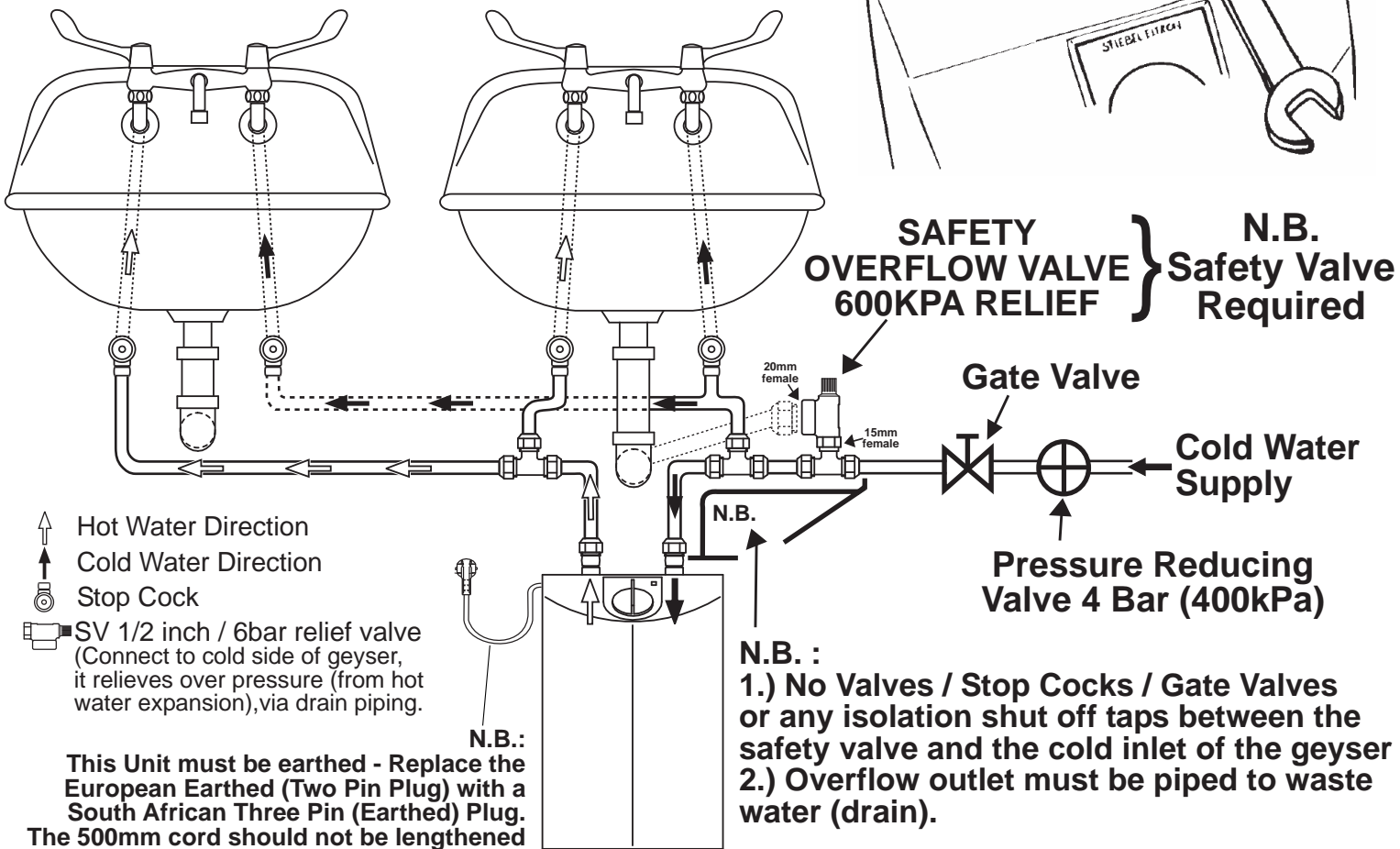
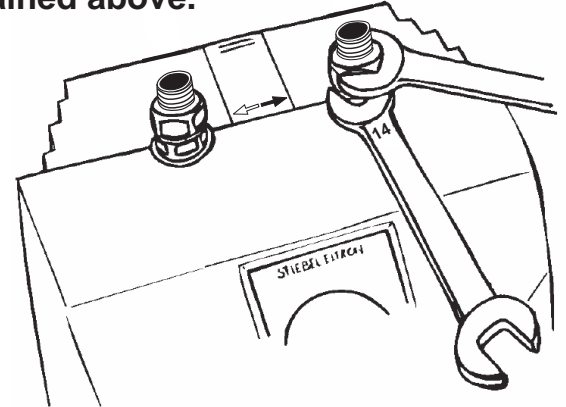


Compiled by; Grant Mocke - Cell: 083 3389106



N.B. :
 Tighten Adaptor onto chromed threaded nut with two spanners in opposite directions, if this is not done correctly the geyser may seem to leak, if so remove adaptor & check if the washer is installed and then re-tighten as explained above.



SHU - is equipped with a Over-Heating Safety Thermal Cut-Out switch, this switch can be reset easily, it is located on the inside of the unit.

N.B. - DO NOT CONNECT POWER BEFORE TANK IS FULL (OF WATER) !!
- UNIT MUST BE EARTHED ! (REPLACE PLUG WITH "South African" THREE PIN PLUG)