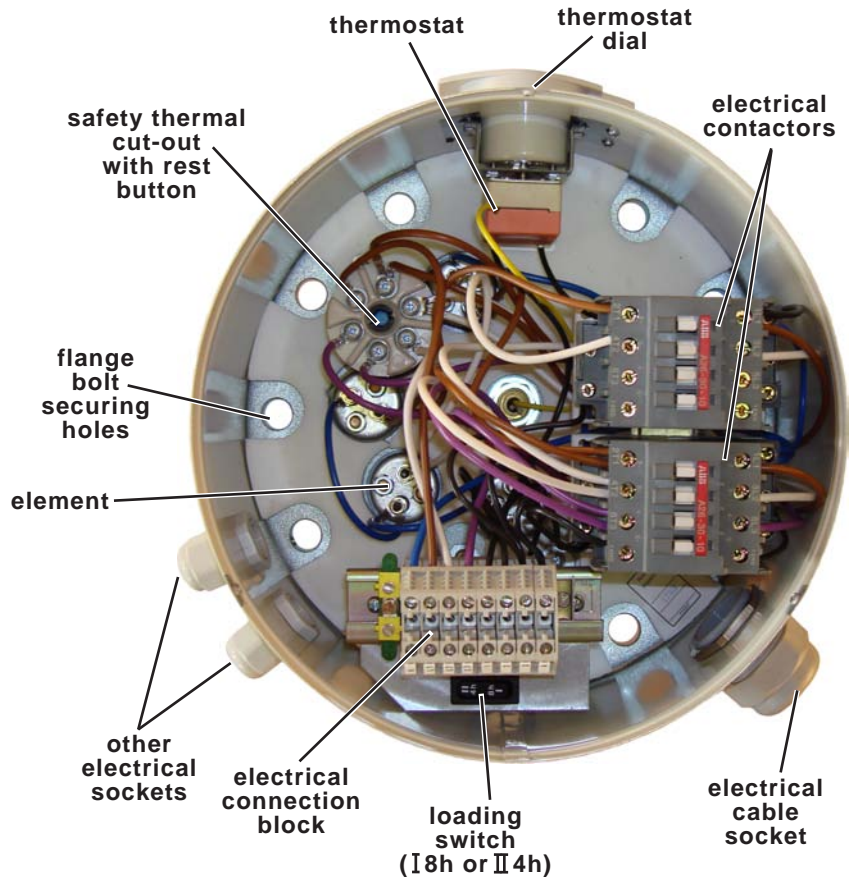
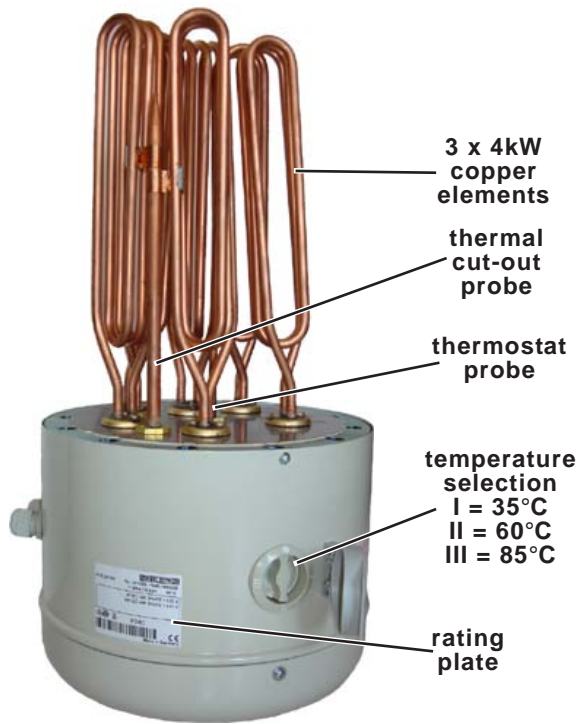
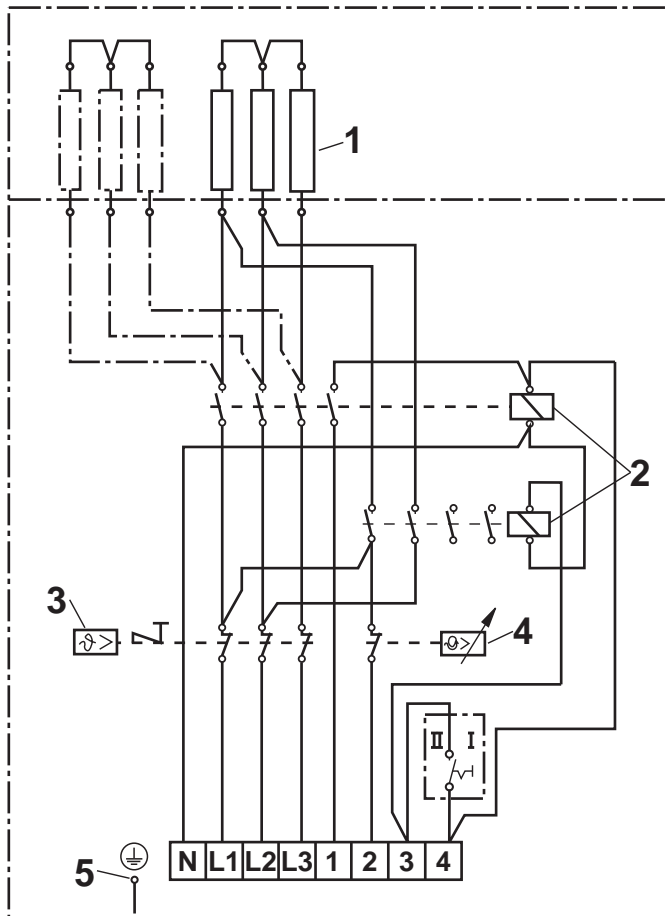


Element FCR 28/120
Dual Circuit - 6kW / 12kW

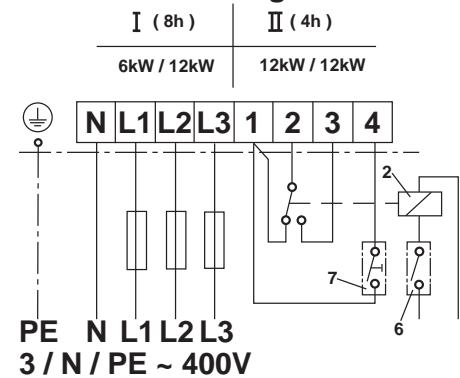


Electrical Connection;
12kW~400V~17.3A
Three Phase 30amp Circuit Breaker
2.5mm Cable 4 core + Earth (3/N/PE)
(3 Lives, 1 Neutral & an Earth Wire).

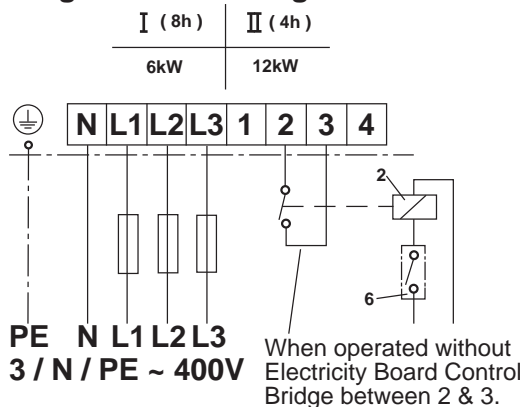


- 1.) Heating Elements.
- 2.) Contactor.
- 3.) Safety Thermal Cut-Out.
- 4.) Thermostat.
- 5.) Earth Wire Connection.
- 6.) Electricity Board Contact.
- 7.) Push Button for remote control of rapid heating.

Dual Circuit Wiring



Single Circuit Wiring



Compiled by;
 Grant Mocké
 Cell: 083 3389106