

EBK 5 G

Boiling Water in a totally new form !

What about a cup of tea or hot water to wash the cups and saucers ?

Our EBK 5 G & EBK 5 K boiling water appliances are reliable and fast in supplying up to 5 Litres of warm, hot or boiling water. New design, innovative technology, plus plenty of comfort - these are three good reasons to choose Stiebel Eltron's boiling appliances. Thanks to the EBK series of units you can either choose from elegant glass container or high-quality plastic tanks. The innovative discmatic panel heating system ensures a high and lasting degree of efficiency.

Your water is heated from temperature as low as 35 °C to as much as 100 °C in a smooth fast and especially convenient way. Even it's user-friendliness is convincing: You can easily set the temperature with the knob, You can always keep control of the device thanks to the heating and level indicators, while the utmost safety is ensured by boiling point sensor and automatic switch-off. Installation is incredibly easy thanks to a wall bracket.

The boiling water unit with automatic switch-off is used for the preparation of hot and boiling water in the home and in commercial premises.

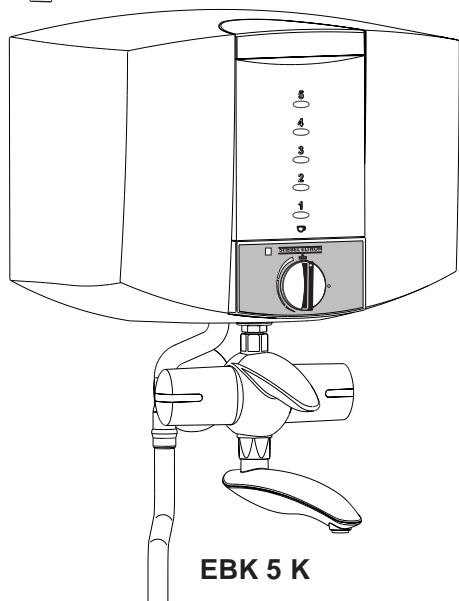
The drinking water is heated using a low-scale discmatic disc-type heating element.

The unit is filled with a maximum of 5 litres of water, via the tap fitting.

The desired hot water temperature can be adjusted from approximately 35°C to 100°C (boiling point). Heating up is indicated by the indicator light.

When the temperature is reached, the unit switches off.

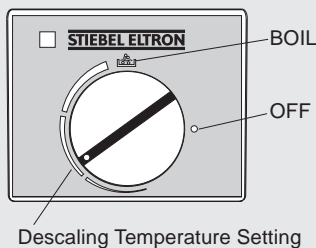
The hot water is drawn off via the tap fitting.



EBK 5 K

Operation Description

1. Fill the unit with water, from 0.5 litres (cup symbol) up to a maximum of 5 litres, via the tap fitting.
 2. Select temperature.
 3. Switch the unit on by pressing the thermostat knob.
- When the selected temperature is reached, the unit switches itself off. The indicator light goes out. Immediate reboiling is possible by keeping the thermostat knob depressed.
4. Draw off hot water via the tap fitting.
 5. Always have water in tank before you initiate boiling.



Heating Up Time

Cold Water Temperature: 10°C

Selected Temperature: 100°C (Boiling Point)

Content (Litres)	1.0	2.0	3.0	4.0	5.0
Heating Up Times (in minutes)	3	6	9	12	15

Technical Data

Bill of Quantities Description	EBK 5 G Wall Kettle	EBK 5 K Wall Kettle
Rated power - kW-Voltage	2kW-230V-50Hz	
Tank Capacity - Litres	5 L	
Tank Material	Glass	Polypropylene
Temperature Selection	35°C to 100°C	
Type of Construction	Open	
Weight - Kg	4 Kg	2.7 Kg
Protection mode	IP 24 D	
Water connection	G ½" - 15mm	
Electrical connection	1/N/PE ~ 220....240 V	
VDEW approval	Yes	
SABS approval	Yes	
Heating system - Element Type	Disc Element	
Area of Use	Drinking Water	
Colour	White	
Tap Fitting Surface	White Plastic	



Descaling

Almost all water forms scale at high temperatures. It is therefore necessary to descale the boiling water unit from time to time.

- Use environmentally compatible descaling agents based on formic acid (e.g. Cillit lime dissolver).
- You can use a cup of vinegar mixed with a bit water, pour into tank then heat the water at the descaling temperature (approx. 45°C).
- Do not boil water when descaling.

N.B.



• Do Not Initiate Heating with an Empty Tank ! Always leave a cup of water in unit, one cup of water has been indicated with a "Cup Sign" on the tank's level indicator.

• Replace the european two pin plug with a South African three pin plug. This unit has to be earthed.

