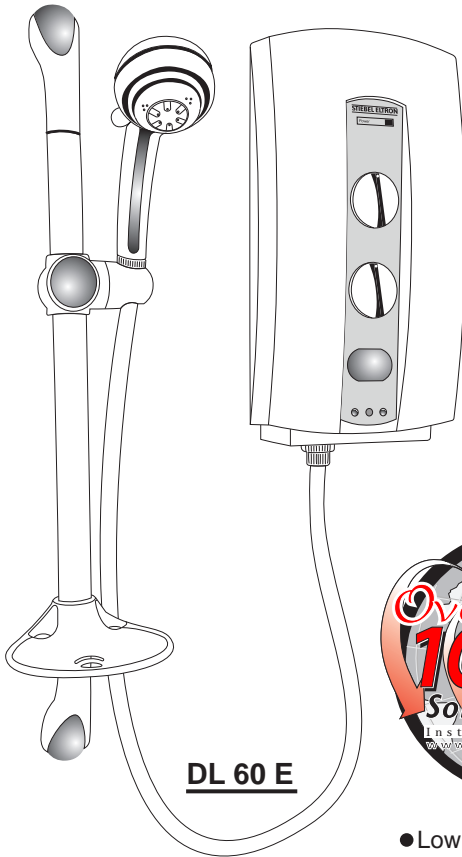


# Instant Shower Water Heater - DS 60 E - DL 60 E

## Non Pressure - Single Point Unit.

**STIEBEL ELTRON**

Comfort through Technology



**DL 60 E**

Pure comfort day after day. Shower in Style !

Introducing the new DS & DL instantaneous Shower water heater. Stiebel Eltron has done it again, with another technology driven German masterpiece of water heating. The DS & DL shower heater is not only fitted with the newest technology, but also with built-in ELCB (Electric Shock Protection Circuit). The DS & DL pressureless (Open outlet, Non-pressure) small instantaneous water heater is a device for heating water for a shower only. The electrical power is electronically controlled. The flow is controlled by using the Flow control knob (A), or the On/Off Water & Flow Tap (E), these two also affect the temperature output. The unit switches the power on once the flow volume reaches 1.5-2 L/min. The "Power" light (C) indicates that the unit is switched on. If the temperature adjustment rotary (B) switch is turned to the left, it is possible to take a cold shower (the heating will not be switched on). The DS & DL is fitted with an overheating protection device. In the event of overheating the heating power will be cut off.



- Electrical Shock Protect - Reliable Earth Leakage sensing device immediately shuts off the unit in case of potential electric shock.
- Free from Scalding - Auto-reset thermostat that turns on/off to prevent scalding.
- Flame Retardant - Flame retardant PC boards are used for safety.
- Rust Free - Copper Tank & Element.

- Low Pressure - Equipped with a Reed switch system, perfect even in areas with low pressure.

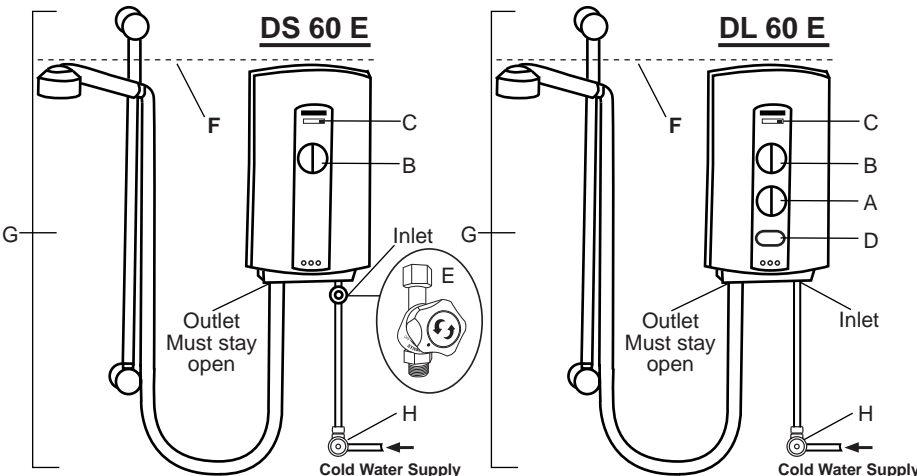
- Shower Rose - 5 different sprays; jumbo spray, standard spray, soothe spray, mix spray, massage spray.

Type	Power * Single Phase * 220 Volt supply	Output Temperature With cold water @ 15°C					
		Litres per minute (L/min)					
		1,5	2,0	3,0	4,0	5,0	6,0
DS & DL	6kW	-	57°C	43°C	36.0°C	31.8°C	29.0°C

### INSTALLATION DIAGRAM & DESCRIPTION

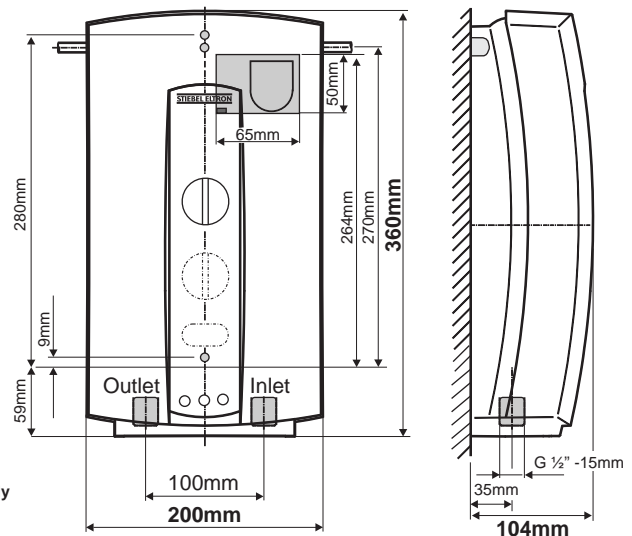
All you need is cold water supply to the unit, use a conex fitting on the inlet (right hand side), (areas with high pressure install a 4 bar pressure reducer). Install a isolating tap on the cold water supply before the unit this will help slow the flow so it is easier to operate. Power Supply form the Main Board connected to a 30 amp circuit breaker with a 6mm cable (Live~Earth~Neutral). Flush all air from unit before you apply the power.

- A) Flow control knob. B) Temperature adjustment knob. C) Power Light.  
 D) On/Off Push Button. E) On/Off Water & Flow Control (DS Only).  
 F) When not in use Shower Rose @ same level as top unit.  
 G) Supplied Accessories. H) Water Supply Stop Valve (Isolating Tap).



### Technical Data

Bill of Quantities Description	DS 60 E	DL 60 E
Rated power - kW~Voltage	6kW~220V	
Power Connection Circuit Breaker & Cable Size (@ 220V)	28 amps 30amp / 6mm	
Tank Capacity - Litres	0,5	
Tank Material	Copper	
Type	Open - Non-Pressure	
Rated overpressure - MPa (bar)	0 (0 bar)	
Weight - Kg (Boxed)	1,9Kg (2.5Kg)	
Boxed Accessories	Shower Rose, Riser Rail, Soap Dish, Outlet Hose, Mounting Screws & Washers	
Protection mode	IP 24 (Splash Proof)	
Water connection	G ½" -15mm (external thread)	
Electrical connection	1/N/PE ~ 220....240 V	
VDEW approval	Yes	
SABS approval	Yes	
Heating system - Element	Tubular	
Switching On - Flow volume	> 1.5 L/min	
Installation Position	Wall Unit Installed Vertically in Shower (with water connections downwards).	



⚠ Do not pressurize unit, outlet must never be closed by any tap or valve. Gate valve's, Stop cocks & Isolating Taps must be installed before unit on the cold water supply.

[www.stiebel-eltron.co.za](http://www.stiebel-eltron.co.za)

Compiled by: Grant Mocké  
Cell: 083 3389106

Stiebel Eltron South Africa Agencies (Pty) Ltd, Unit No.9 Selby Warehouse Complex, Krag Street corner Treu, Selby Ext 14, Johannesburg - P.O.Box 38875, Booyens 2016. Tel:(011) 493-6910/1/2/3/4, Fax:(011) 493-2709