

# DEL..18/21/24/27..Si - Electronic-Controlled-LCD Instantaneous Water Heater.

**STIEBEL ELTRON**  
Comfort through Technology



The DEL electronic LCD instantaneous water heater heats the water as it flows through the unit. The hot water outlet temperature can be adjusted precisely to the required degree setting and in stepless mode from 30°C to 60°C, using the thermostat. From a water volume of 3 l/min, depending on the temperature setting and the temperature of the cold water, a combined regulation and control system will switch on the correct heating output.

The DEL electronic LCD will control the water temperature exactly, right up until the output flow rate limit is reached. The DEL electronic LCD provides a high level of water heating comfort and helps you save water and energy day after day.

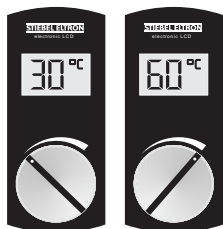
The DEL electronic LCD electronically controlled instantaneous water heater is a pressurised unit for the heating of cold water, with which one or more water taps can be supplied. If the preselected output temperature is not achieved with the tap fully turned on, this means that more water is flowing through the unit than the heating elements can heat (out-put limit 18, 21, 24, or 27 kW). In this event, the water volume needs to be reduced accordingly at the hot water outlet.

The bare wire heating system is enclosed with a pressure-resistant copper jacket. The heating system is especially well-suited for water with high limescale risk.

Display with temperature indication 30 - 60°C.

Thermostat - By rotating the thermostat, the desired temperature can be steplessly adjusted and read off on the display.

There is a danger of scalding with output temperatures in excess of 43°C.



Stepless Temperature Selection from 30°C to 60°C.

## Technical Data

Bill of Quantities Description	DEL 18 Si Electronic LCD	DEL 21 Si Electronic LCD	DEL 24 Si Electronic LCD	DEL 27 Si Electronic LCD
Rated power - kW	18	21	24	27
Power Connection @ 400V~*Amps	26 amps	30.3 amps	34.6 amps	39 amps
Circuit Breaker & Cable Size	30amp/6mm	32amp/6mm	35amp/6mm	40amp/10mm
Tank Capacity - Litres	0,4			
Tank Material	Copper			
Type	Closed - Pressurized			
Rated overpressure - MPa (bar)	1 (10)			
Weight - Kg	5,2			
Protection Class -as per EN60335	1			
Protection mode -as per EN60529	IP 25			
Water connection	G ½" - 15mm			
Electrical connection	3 Lives & an Earth (3/PE) ~ 380V - 400V - 415V			
VDEW approval	Yes			
SABS approval	Yes			
Heating system - Element Area of use	Bare Wire - Suitable for Hard Water Especially for water with high lime content			
Switching On - Flow volume	3.0 L/min			

### Flow Rate's

Type	Power * 3 PHASE	Temperature Increase from cold water inlet				
		Litres per minute (L/min)				
		6,0	8,0	10,0	12,0	14,0
DEL	18kW	42.0°C	31.5°C	25.2°C	21.0°C	18.0°C
	21kW	-	36.8°C	29.4°C	24.5°C	21.0°C
	24kW	-	42.0°C	33.6°C	28.0°C	24.0°C
	27kW	-	47.3°C	37.8°C	31.5°C	27.0°C

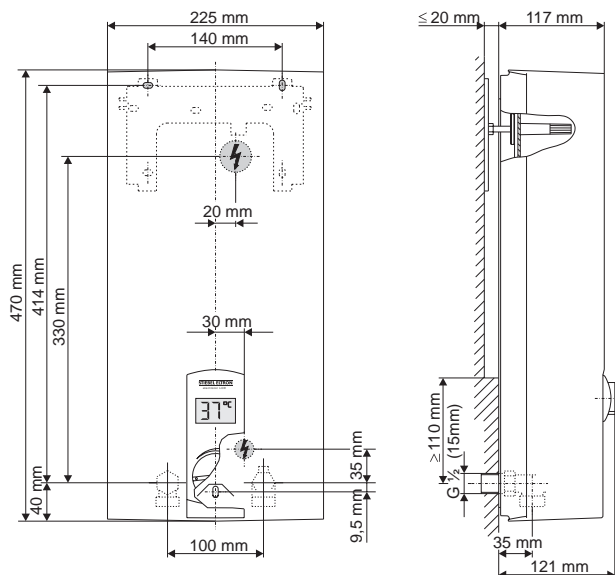
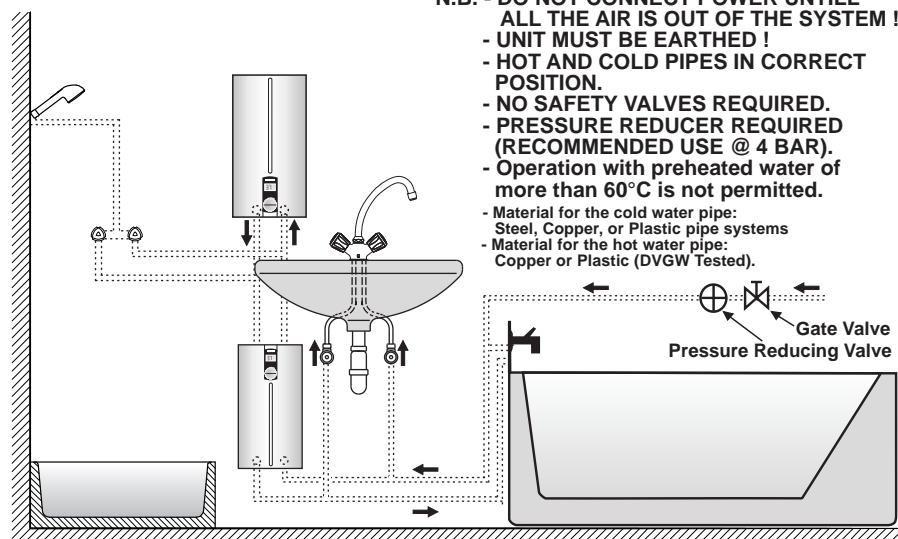
\* 400 Volt supply

### Output Temperature's

To the above table add the temperature of the incoming cold water.  
(e.g. DEL24 - "Winter" inlet temp.= 15°C & @ 12L/min you will get a 28°C rise in temperature, Add 15°C + 28°C = 43°C)

**N.B. - DO NOT CONNECT POWER UNTILL ALL THE AIR IS OUT OF THE SYSTEM !!**

- UNIT MUST BE EARTHED !
- HOT AND COLD PIPES IN CORRECT POSITION.
- NO SAFETY VALVES REQUIRED.
- PRESSURE REDUCER REQUIRED (RECOMMENDED USE @ 4 BAR).
- Operation with preheated water of more than 60°C is not permitted.
- Material for the cold water pipe: Steel, Copper, or Plastic pipe systems
- Material for the hot water pipe: Copper or Plastic (DVGW Tested).



**!** Air in the cold water pipe may destroy the bare wire heating system of the unit, or cause the safety system to actuate.  
The DEL electronic LCD unit is fitted with an air detection device, which will largely prevent damage to the heating system.

Compiled by:  
Grant Mocke  
Cell: 083 3389106

[www.stiebel-eltron.co.za](http://www.stiebel-eltron.co.za)

Stiebel Eltron South Africa Agencies (Pty) Ltd, Unit No.9 Selby Warehouse Complex, Krag Street corner Treu, Selby Ext 14, Johannesburg - P.O.Box 38875, Booyens 2016. Tel:(011) 493-6910/1/2/3/4, Fax:(011) 493-2709