

DHCE 6 / 8

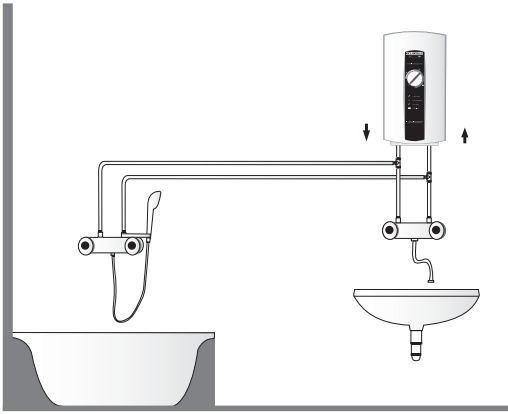
English

Instantaneous water heaters

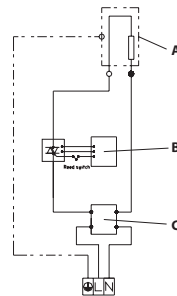
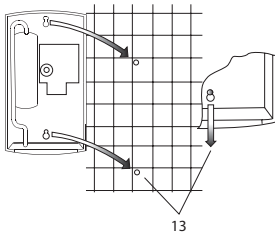
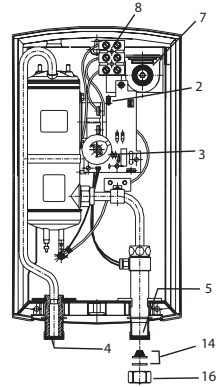
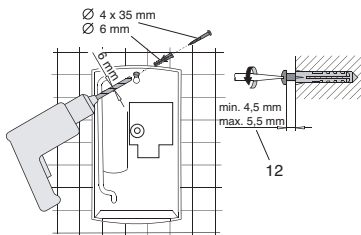
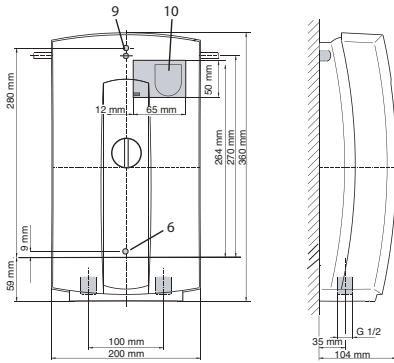
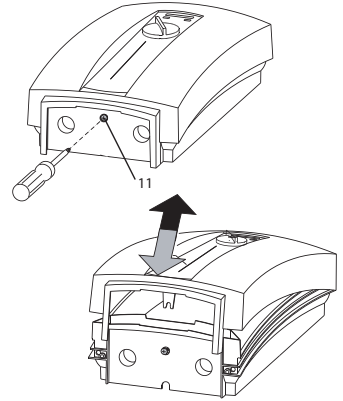
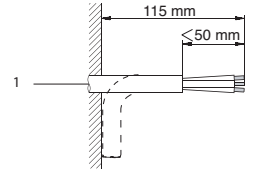
Operation and installation instructions



This water heater must be installed (water and electrical installation), commissioned and serviced by approved service technicians in accordance with these instructions.



Installation Location



A - Heating Element
B - Electronic Control
C - Thermostat Manual Reset



1. Operating instructions for the user and the qualified installer

The DHCE flow-controlled instantaneous water heater heats the water while it is flowing through the unit. The heating power is switched on automatically in the event of the minimum flow rate being exceeded. The "Power" light indicates that heating system is switched on.

The input of heat into the water is electronically controlled. Please set the desired heat input by using the knob on the front cover.

In addition the outlet temperature can be controlled at the draw off point.

1.2 Important information

- Currently-applicable data on the supply rating plate.
- Install the unit flush with the wall.
- Piped supplementary heating is not permissible.
- Water installation material.
 - Cold water pipe-steel or copper.
 - Hot water pipe-copper.
- Electrical connection to permanently-installed leads via circuit breaker.
- Fitting for open-outlet units are not permitted.
- Safety valves are not required.

Additional Safety.

If for any reason, excessive heating occurs the manual reset thermostat will cut off the power permanently

* Customer must call for service from a qualified technician.

1.3 Care and Maintenance

All that is needed for cleaning the housing is a damp cloth. Do not use any abrasive cleaning agents or agents containing solvents.



Maintenance work may only be carried out by a qualified installer.

1.4 Technical data (the data on the unit rating plate apply)

Type	DHCE 6	DHCE 8
Design	Flow switch type	
Rate content	0,5 l	
Weight	1,9 kg	
Rated overpressure	1MPa / 10 bar	
Cold water connection	G 1/2" - external thread	
Electrical connection	1/N/PE ~ 220 240 V	
Volume when switched on	On	2.5
	Off	>2.2
Recommended circuit breaker	30 A.	40 A.
Rated Power	220 V kW	6,0
	230 V kW	6,6
	240 V kW	7,2
		3
		>2.7
		8,0
		8,9
		9,5



2. Installation instructions for the qualified installer

2.1 Technical data

1. Connection cable
2. Power light
3. Rotary control for temperature adjustment
4. Hot water connection
5. Cold water connection
6. Lower fixing hole
7. Position for electrical connection, concealed
8. Electrical connection, surface
9. Upper fixing hole
10. Cable duct for electrical connection
11. Cover securing screw
12. Depth for mounting screw
13. Rear wall installation

14. Combination filter/seal
15. Union nut and washer, provided by client

2.2 Regulations and Provisions

- Regulations of the local power supply company should be observed.
- Regulations of the water supply company should be observed
- Technical data.
- Install the unit flush with the wall.
- Electrical connection to be secure.
- The device must be capable of being isolated from the mains, for example by fuses, with an isolating distance of at least 3 mm, in all poles.



The unit must be earthed (see circuit diagram). To protect against water penetration, the cable seal (7) must be used.

2.3 Important note



All the information in these Operating and Installation Instructions must be carefully followed. These instructions provide important details regarding the safety, operation, installation, and maintenance of the unit.

2.4 Installation location




The unit is to be installed in a closed, frost-free room (disconnected units are to be stored in a frost-free location, since there will always be some water left in the unit) The DHCE is to be installed vertically on a wall (hot water connection downwards).


2.5 Installing the unit

1. Flush the cold water pipe thoroughly.
2. Fit a secure connection cable (1) (ensure dimensions are correct).
3. Release cover securing screw (11).
4. Remove cover.
5. Determine the position of the drillholes and drill the holes. Insert the wall plugs and screw in the screws (ensure screw insertion depth is correct) (12).
6. Feed the connection cable through the cable seal (7) in the rear wall. Guide the unit over the wall securing screws and slide it downwards.
7. Fit the filter and the washer (14) to the cold water inlet of the unit (5). Tighten the union nut to the warm water outlet of the unit. (4)
8. Straighten the unit and tighten the screws.
9. Connect the electrical supply.
10. Fit the cover and secure with the screw.
11. Turn the rotary control to the left and right (internal setting lever will engage).

2.6 First operation

(Only to be carried out by a qualified installer)


-  Before switching on, set the rotary temperature control to "Min". Open water valve until the pipework and the unit are free of air.
- Check the operation of the water heater.

-  **Warning :** Open hot water faucet for a few minutes until water flow is continuous and all air is purged from water pipes. The unit's plastic cover must be installed before the circuit breaker is turned on.

Handing over the unit

- Explain to the user how the unit works and familiarise him or her with its use.
- Advise the user about possible hazards (high water temperature)
 - Hand over these instructions, to be kept in a safe place.

2.7 Service note


-  When carrying out any work, isolate the unit from the mains and shut off the water connection.

- Clean the filter

Disconnect the union nut (15), remove washer, filter (14) and clean. Re-assemble in reverse order.

3. Guarantee

For guarantees please refer to the respective terms and conditions of supply for your country.

 The installation, electrical connection and first operation of this appliance should be carried out by a qualified installer.

The company does not accept liability for failure of any good supplied which have not been installed and operated in accordance with the manufacturer's instructions.

4. Fault elimination for the user

Fault	Cause	Rectification
No hot water	<ul style="list-style-type: none"> - The water flow volume required for the unit to turn on has not been reached. - The shower head is blocked with dirt or limescale. - Flow volume too low - Circuit breaker off - Safety thermal cut-out trip 	<ul style="list-style-type: none"> - Clean shower head or remove limescale. - Increase flow volume. - Turn breaker on - Reset thermal cut-out
The unit is not being switched on. Electricity supply and flow available. blocked with dirt.	<ul style="list-style-type: none"> - The water flow volume required for the unit to turn on has not been reached. - Filter in the cold water connection pipe water intake. 	<ul style="list-style-type: none"> - Clean the filter after shutting off the cold
Water not hot enough	<ul style="list-style-type: none"> - Water flow too high - Heating setting too low 	<ul style="list-style-type: none"> - Reduce water flow - Turn knob to the right (max. position)